



# **Twin Head 120LED Solar Motion Light for corner mount option Instruction Manual**



**Item # 23401**

Thank you very much for choosing a Nature Power Product! For future reference, please complete the owner's record below:

Model: \_\_\_\_\_ Purchase Date: \_\_\_\_\_

Save the receipt and these instructions. It is important that you read the entire manual to become familiar with this product before you begin using it.

This product is designed for certain applications only. The distributor cannot be responsible for issues arising from modification. We strongly recommend this product not be modified and/or used for any application other than that for which it was designed. If you have any questions relative to a particular application, DO NOT use the product until you have first contacted the distributor to determine if it can or should be performed on the product.

For technical questions please call **1-800-588-0590**.

## GENERAL SAFETY RULES



### **WARNING:**

Read carefully and understand all **ASSEMBLY AND OPERATION INSTRUCTIONS** before operating. Failure to follow the safety rules and other basic safety precautions may result in serious personal injury.



**CAUTION:** Do not allow persons to operate or assemble this Solar Light until they have read this manual and have developed a thorough understanding of how the Solar Light works.



**WARNING:** The warnings, cautions, and instructions discussed in this instruction manual cannot cover all possible conditions or situations that could occur. It must be understood by the operator that common sense and caution are factors which cannot be built into this product, but must be supplied by the operator.

**SAVE THESE INSTRUCTIONS**

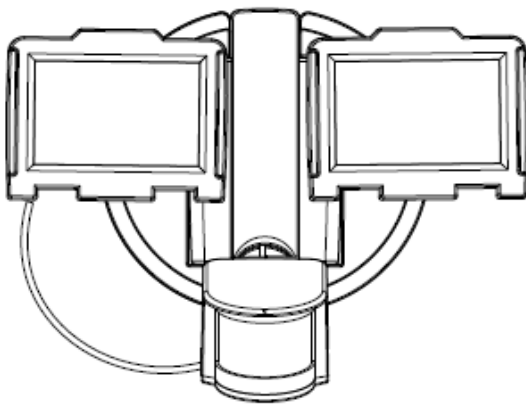
## FEATURES

Your Solar Security Light is the perfect system for the following:

- Entrance
- Garage
- Porch
- Eaves
- Emergency

## PARTS LIST

Part#	Description	Qty.
1	Lamp	1
2	Solar Panel	1
3	Screws and Anchors	1
4	Mounting Bracket	1
5	Manual	1



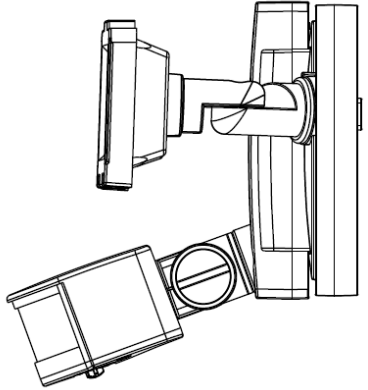
## USE AND CARE

- **Do not modify the Solar Light in any way.** Unauthorized modification may impair the function and/or safety and could affect the life of the equipment. There are specific applications for which the Solar Light was designed.
- **Always check for damaged or worn out parts before using the Solar Light.** Broken parts will affect the Solar Light operation. Replace or repair damaged or worn parts immediately.
- **Store idle Solar Light.** When Solar Light is not in use, store it in a secure place out of the reach of children. Inspect it for good working condition prior to storage and before re-use.

# INSTALLATION

## 1. Lamp Unit Installation

- Use 'U' shaped mounting plate located to the rear of the lamp to mark where you want to install the lamp Fig 1



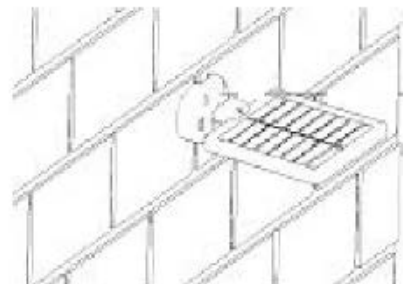
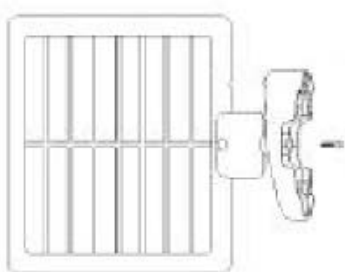
- Make sure this is clear of obstacles such as cables and electric lines.
- Secure lamp to the wall with screws provided.
- Carefully route the wire from the solar panel to the lamp and plug it into the battery housing input.
- Adjust the motion sensor so that it faces the area where motion detection is desired. You can move it up and down by adjusting the screw on the neck of the motion detector.

**Note:** Lamp unit should be mounted within 6 to 10 ft from the ground to ensure motion detection is optimized.

## 2. Wall or deck mounting of solar panel

- Secure bracket to solar panel with screw provided as shown below.
- Set bracket on surface and secure in place with larger screws provided.
- Adjust angle of solar panel to ensure it receives optimum sunlight.

**Note:** The Solar Panel is equipped with a length of wire. Ensure that the wire will reach the desired position of the lamp before making final installation.



## OPERATION


1. Before the Solar Motion Light can operate to its full capacity, allow the unit to charge in sunlight for 3 days with the solar panel wire connected to the light.. Charging should be done with the unit in the "OFF" position.
2. Located at the bottom of the Battery Housing there is a AUTO/OFF switch.
  - "AUTO" position, the light will turn on automatically when motion is detected.
  - "OFF" position, the light will remain off and will not detect any movement.

## HOW TO USE CONTROL DIALS

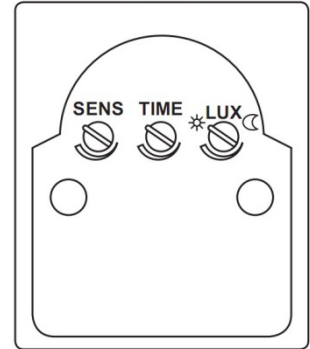
The Solar Motion Light has 3 dials which control the light's duration, sensitivity to light and sensitivity to motion.

### LUX (LIGHT LEVEL)

The LUX dial adjusts the sensitivity to darkness. If set to the maximum  level, the

light will go on in daylight. If set to the minimum , the sensor will only trigger the

light to turn on at dusk or when it is dark out. This is the ideal position for general usage. Please note that ambient light will affect the sensor.



### TIME

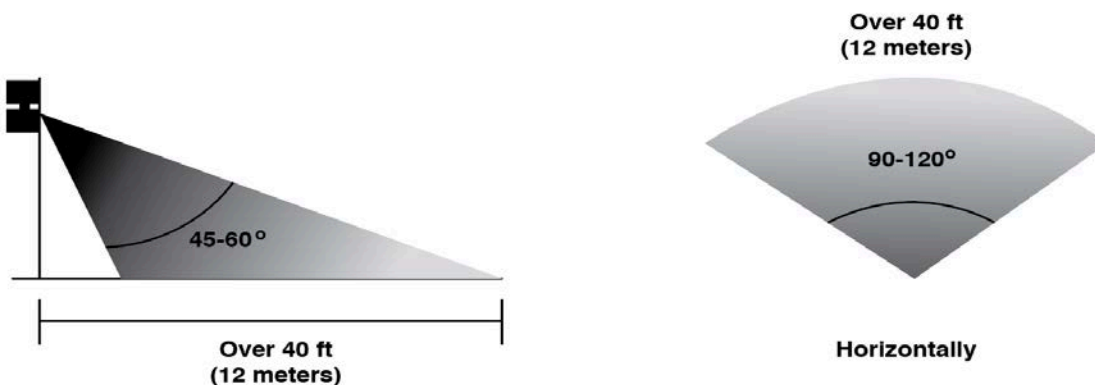
The TIME dial sets the duration the light will stay on when triggered.

The duration is adjustable from 8 seconds to 2 minutes. Rotating the dial clockwise will increase the duration the light will stay on.

### SENS (SENSITIVITY)

The SENS dial adjusts the sensitivity of motion detection:

1. Minimum position – Low Range: large movement is required to trigger the light to turn on.
2. Mid Position - Medium setting.
3. Maximum position - Maximum range: the smaller movements will trigger the light to turn on.



## LOCATION OF SOLAR LIGHT

Solar powered lights require sunlight to recharge the internal batteries. For best results, locate the Solar Panel in a position where it will receive direct sunlight, and is generally free from cover and shade.



## TROUBLESHOOTING

***If the light does not illuminate when movement in front of the sensor is obvious, please observe the following:***

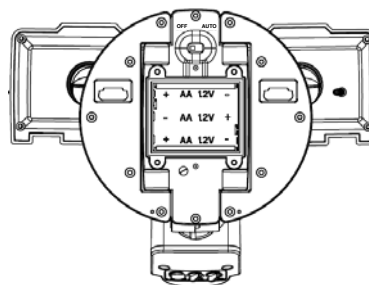
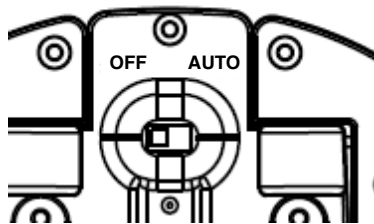
- Ensure the solar panel is in a location where it will receive maximum sunlight during daytime hours.
- Clean solar cells with a damp towel, Do not apply excessive pressure and avoid the use of any solvents or cleaning agents on the solar cells.
- Ensure the switch is set to “Auto”
- Check batteries are installed correctly.
- Allow the solar panel to charge the batteries in direct sunlight for 2 days with the switch in the “OFF” position.
- Replace Batteries

***It may be necessary to reset the sensors. Please follow the below steps:***

Ensure the unit is fully charged and have all the settings on the unit set to their maximum before doing the sensor reset.

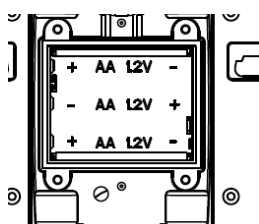
To reset the sensor:

1. Take the item into a dark room and then switch to the Auto.
2. Activate the motion sensor in the dark.
3. Once the light turns on, the sensors are reset.
4. Wait until the light turns off before returning the product to a lit room or area.



## BATTERY REPLACEMENT

1. Batteries are located in the battery housing located at the back of the lamp
2. Remove Screws from front of the battery housing to access batteries.
3. Replace batteries with rechargeable batteries of the same type and rating
4. Reassemble battery housing



## **MAINTENANCE**

Perform a visual inspection once per season. Keep the solar panel free of dirt and debris by wiping with a damp cloth.

After periods of inclement weather, and during winter, it may be necessary to place the light in the OFF position and allow the batteries to recharge. This is because the batteries may not be able to fully charge during the day during times of limited or reduced sunlight.

## **LIMITED WARRANTY**

Nature Power warrants our products to the original purchaser that this product is free from defects in materials and workmanship for the period of one year from date of purchase. In the case of product defect, contact Nature Power customer service to receive troubleshooting. If defective part or unit should be returned, a return Authorization Number must be issued by Nature Power and the defective part or unit should be returned to the authorized location at the purchasers' expense. A dated proof of purchase is required to receive warranty service. Once received at authorized location and defect proves to be the result of defective material and workmanship, the defective part or unit will be replaced at warrantors' option and returned to the original purchaser at warrantors' expense. No refunds will be granted by the warrantor, in the event of buyer's remorse please contact your point of purchase within and in adherence to their return policy. Refunds are granted at the retailers' discretions.

**Dated Proof of Purchase is required.**



**Please contact Nature Power Products to acquire more information:**

1-800-588-0590

[info@naturepowerproducts.com](mailto:info@naturepowerproducts.com)

[www.naturepowerproducts.com](http://www.naturepowerproducts.com)